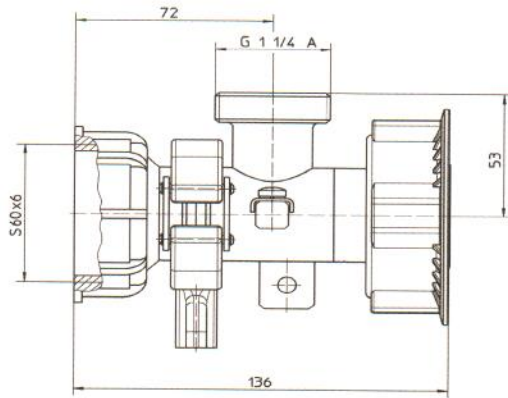


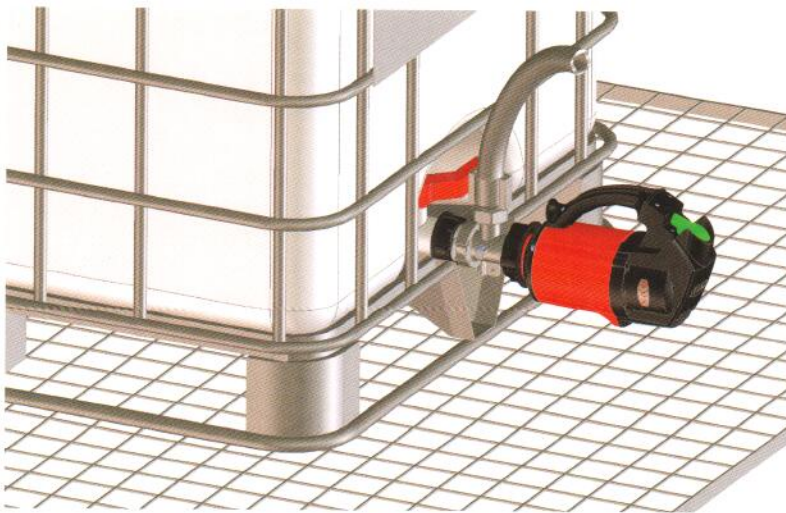
# Technical data sheet

## MINIFLUX

### Dimensions [mm]



### Installation example (non hazardous area)



#### Note:

When using the MINIFLUX in hazardous area, ex-protected motor and ground wire are urgently needed.