

# MAGSON MA

Magnetically coupled centrifugal  
pumps made of PP / ETFE  
Type 4/4H



# MA type 4/4H



- execution with thread adapter

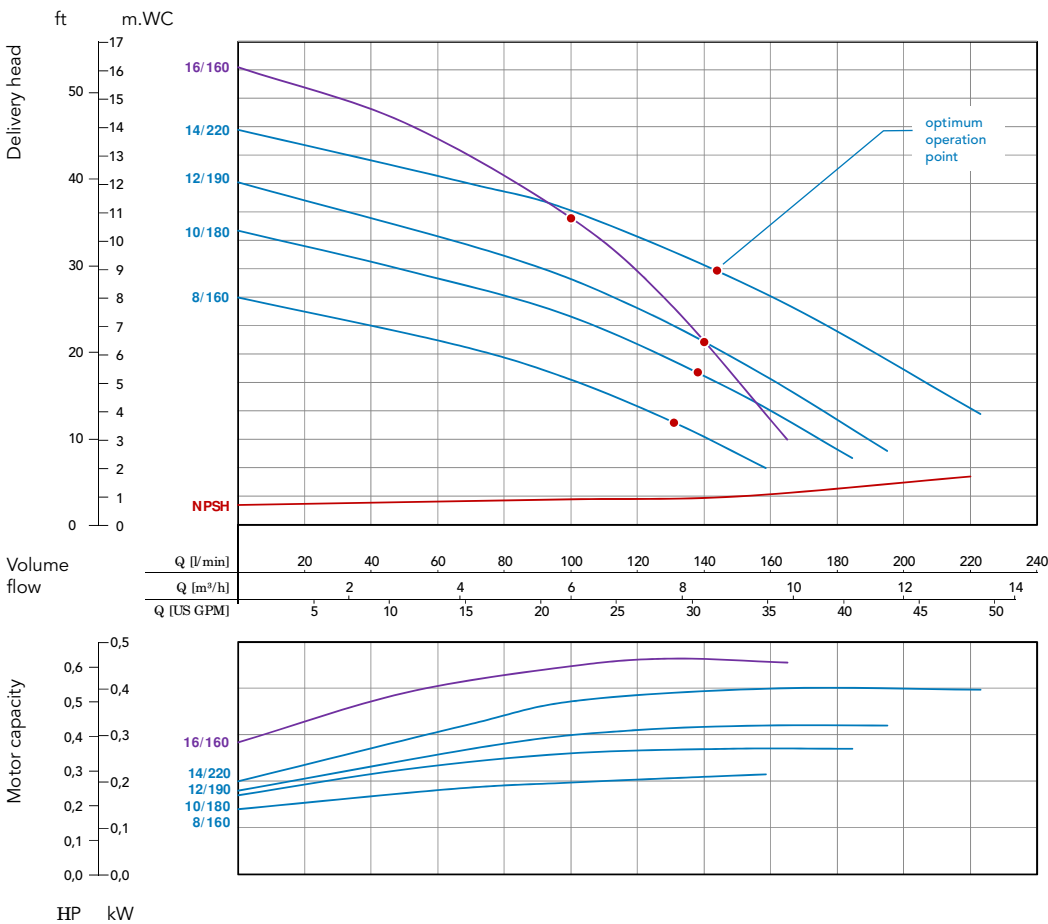


- without shaft seal
- streamlined housing made of PP or ETFE
- 1.5" NPT x 1/2" NPT x 1/2" NPT
- 1.5" NPT x 1/2" NPT x 1/2" NPT
- back pull-out



For all advantages of MAGSON pumps see main catalogue.

## Performance curves



Technical data MA	Type 4								Type 4H
	8/160		10/180		12/190		14/220		16/160
Materials *	PP (glass-fibre reinforced) / ETFE (carbon-fibre reinforced)								
Max. delivery head in [m.WC] at 50 Hz									16
Max. volume flow in [l/min] at 50 Hz									160
Max. density in [g/cm <sup>3</sup> ] at 50 Hz **	1.7	2.6	1.3	2.0	1.15	1.7	0.9	1.4	1.15
Motor capacity in [kW]	0.37	0.55	0.37	0.55	0.37	0.55	0.37	0.55	0.55
Current rating (400 V, 50 Hz) in [A]	0.96	1.41	0.96	1.41	0.96	1.41	0.96	1.41	1.41
Rated speed in [rpm] at 50 Hz / 60 Hz	3000 / 3600								
Suction port	DN 40 (alternative G 2 1/4")								DN 25 ***
Discharge port	DN 40 (alternative G 2 1/4")								DN 25 ***
Voltage in [V]	230 V AC or 230 / 400 V three-phase AC								
Protection class	IP 55								
Max. flow velocity in [m/s]	suction side = 1 / discharge side = 3								
Max. temperature for PP / ETFE in [°C]	70 / 80								
Max. system pressure for PP / ETFE at 20 °C in [bar]	2.2								

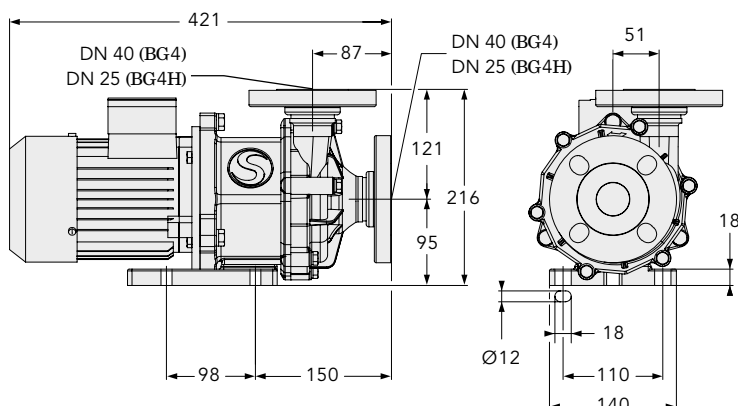
\* Material used for housing, impeller unit and rear casing: (sheath of inner magnet made of PP without fibre reinforcement)

\*\* approx. value at max. volume flow (higher density possible when flow rate is reduced)

\*\*\* alternative G 1 1/2"

Dimensions	Type 4				Type 4H
	8/160	10/180	12/190	14/220	16/160
Dimension a [mm]	110				130
Dimension b [mm]	51				65
Dimension c [mm]	98				130
Dimension d [mm]	95				115
Dimension e [mm]	121				145
Dimension f [mm]	87				90
Dimension g [mm]	150				173
Dimension H [mm]	216				260
Dimension i [mm]	12-18				Ø12
Dimension k [mm]	180				100
Dimension W [mm]	140				160

Motor dimensions may differ according to manufacture.



### Materials and much more

You will find all details and more of MAGSON pump series within the main catalogue.

# For all types of connections

No matter which type of connection you have – MAGSON is the perfect solution, even in that case.

Conventional centrifugal pumps usually follow a connection form. Either you have flange connections acc. to DIN (or ANSI) or a thread connection (internal or external thread). You have then to adapt your system to the pump, order the pump according to your requirements (usually with longer delivery time and higher costs than standard version) or create a complex transfer piping between the system and the pump. MAGSON also offers the ideal solution for all

### **MA with loose flange: perfect connection at flanges**

No matter how the drilling pattern of the pipeline comes to rest after completion, thanks to the loose flange on the MAGSON you can connect directly. Simply turn the loose flange on the pump until it matches the pipe and you can screw it down.

Moreover, it does not matter if your pipeline is designed according to DIN or ANSI. MAGSON always fits!

### **MA with thread adapter: the universal**

MAGSON magnetic centrifugal pumps go a step further; also here: with the standards supplied threaded adapters, you can adapt pumps to the standardized coupling nuts in standards dimensions. We also ensure that the pipeline has a sufficiently large diameter in order to optimize the flow conditions around the pump. If necessary, we also provide you with an adapter tailored to your needs.

### **MA with hose connections: a round thing**

And if it has to be flexible there is also the hose connection. Thus all types of connections are available, which makes the connection to your system as simple as possible.

All details described at page 4.



### **MA with loose flange**

Loose flanges are preassembled.



### **MA mit thread adapter**

Threaded adapters are supplied as standard and can be mounted as required

# Accessories to MAGSON pumps

## Motor accessories

- ON/OFF switch with 2.5 m cable and plug (230 V AC only)
- 5 m three-phase connection cable with CEE plug of 5 × 16 A, fully assembled
- Frequency converter of IP class 65, mounted directly to the motor or for wall mounting
- Electronic monitoring system to always optimize the availability of your pump

## Slip-on flanges

To screw onto threaded ports including O-Rings. All MAGSON MA and MAS types 4, 5 and 6 as well as types 4H, 5H and 6H are equipped with slip-on flanges and additional loose thread adapters delivered with the pump.

Type	Nominal diameter of suction port	Nominal diameter of discharge port	Material of PP	Material of ETFE
MA types 2 / 3, MAS type 4, MA (types 4H, 5H and 6H)	DN 25 PN 10	DN 25 PN 10	•	•
MA types 4 / 5, MAS type 5	DN 40 PN 10	DN 40 PN 10	•	•
MA type 6	DN 50 PN 10	DN 40 PN 10	•	•
MAS type 6	DN 50 PN 10	DN 50 PN 10	•	•

• Standard (off the shelf)

## Hose connections

Three-piece hose connections with spigot nut and hose nipple.

Connection	Hose nipple	to suction port	to discharge port
1 ½" thread	1"	MA types 2 / 3 + 4H-6H, MAS type 4	MA types 2 / 3 + 4H-6H, MAS type 4
	1 ¼"		
	1 ½"		
2 ¼" thread	1 ½"	MA types 4 / 5, MAS type 5	MA types 4 / 5 / 6
	2"		

## Thread adapters

to screw onto threaded ports including O-rings connecting with insert fitting and spigot nut

Type	Nominal diameter of suction port	Nominal diameter of discharge port	Material of PP	Material of PVDF
MA types 2 / 3, MAS type 4, MA (types 4H, 5H and 6H)	DN 25 PN 10	DN 25 PN 10	•	•
MA types 4 / 5, MAS type 5	DN 40 PN 10	DN 40 PN 10	•	•
MA type 6	DN 50 PN 10	DN 40 PN 10	•	•
MAS type 6	DN 50 PN 10	DN 50 PN 10	•	•

Also available are port seals, shut-off and check valves etc. suitable to any MAGSON pump. Our product specialists will be glad to help you!

# Contact us

Thanks to our wide distribution network with 13 sites in Germany, you will find FLUX's at close range.

**1 Berlin/Brandenburg**

SONDERMANN GmbH  
 1. August-Horch-Strasse 2  
 10557 Berlin  
 Tel: +49 30 639 12 10  
 Fax: +49 30 639 12 11  
 Email: info@sondermann-pumpen.de

**3 Hanover/Kassel/Magdeburg**

SONDERMANN GmbH  
 Alte Bemeroder Strasse 122  
 30625 Hannover  
 Tel: +49 51 31 21 11  
 Fax: +49 51 31 21 12  
 Email: info@sondermann-pumpen.de

**5.1 Southwest North Rhine-Westphalia**

SONDERMANN GmbH  
 Joachim Kehrenbach  
 August-Horch-Strasse 2  
 42699 Solingen  
 Tel: +49 212 35 31 11  
 Fax: +49 212 35 31 12  
 Email: j.kehrenbach@sondermann-pumpen.de

**2 Hamburg/Schleswig-Holstein/Mecklenburg-West Pomerania**

SONDERMANN GmbH  
 Dorfstrasse 23  
 20099 Hamburg  
 Tel: +49 40 30 91 11  
 Fax: +49 40 30 91 12  
 Email: info@sondermann-pumpen.de

**4 Bremen/Munster**

SONDERMANN GmbH  
 Am Zwickensch 18  
 D-49324 Melle  
 Tel: +49 54 23 11 11  
 Fax: +49 54 23 11 12  
 Email: info@sondermann-pumpen.de

**5.2 Northeast North Rhine-Westphalia**

Ralf Boesl  
 August-Horch-Strasse 2  
 42699 Solingen  
 Tel: +49 212 35 31 11  
 Fax: +49 212 35 31 12  
 Email: r.boesl@sondermann-pumpen.de

**6 Hesse**

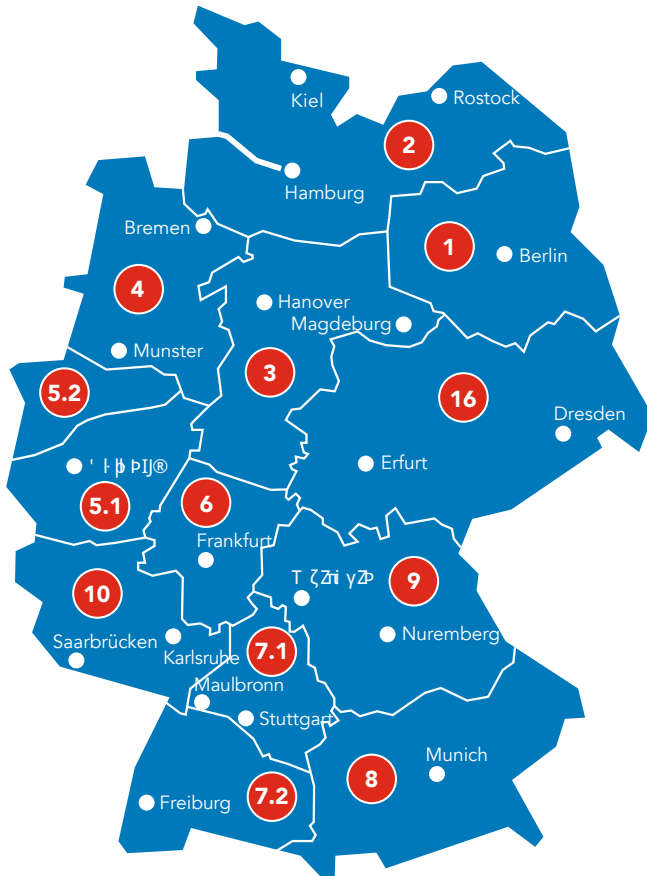
SONDERMANN GmbH  
 August-Horch-Strasse 2  
 61169 Friedberg  
 Tel: +49 6381 35 31 11  
 Fax: +49 6381 35 31 12  
 Email: info@sondermann-pumpen.de

**7.1 North Baden-Württemberg**

Martin Reichert  
 Nibelungenstrasse 4  
 71634 Ludwigsburg  
 Tel: +49 7141 35 31 11  
 Fax: +49 7141 35 31 12  
 Email: info@sondermann-pumpen.de

**7.2 South Baden-Württemberg**

SONDERMANN GmbH  
 Westendstrasse 4  
 76187 Karlsruhe  
 Tel: +49 78 31 35 31 11  
 Fax: +49 78 31 35 31 12  
 Email: info@sondermann-pumpen.de





**8 South Bavaria**

Tobias Anton  
 Kornblumenstrasse 5  
 D-86637 Wertingen  
 Mobile +49 172 6287784  
 Σ[ IJ] IJg Αγλδύγέ ύ@J} ®

**9 North Bavaria**

Dipl.-Ing. (FH) Wolfgang Schauer  
 Am Weinberg 2  
 D-91180 Heideck  
 Phone +49 9177 4852705  
 Mobile +49 172 6287781  
 κ Iσι [ γ@z Αγλδύγέ ύ@J} ®

**10 Rhineland-Palatinate/  
 Saarland/Nordbaden**

Frank Schorn  
 Fliederstrasse 19  
 D-66773 Schwalbach  
 Phone +49 6834 567250  
 Mobile +49 172 6259223  
 Ξσι Ι Jg Αγλδύγέ ύ@J} ®

**16 Central Germany**

Dipl.-Ing. (FH) Hendrik Mueller  
 Am Kirschrain 5  
 D-06193 Petersberg  
 Phone +49 34606 290321  
 Mobile +49 172 1324674  
 ì ě γ@z Αγλδύγέ ύ@J} ®



**At your service all over the world**

J ? = ) \*I < i# = ύγέ ύI [ IJ] ΑΓΕ [ Ζ@ [ I [ Φ i Π κ Ι Ζ Π κ Φ ®  
 The contact data of our international agencies and representatives are listed at [www.sondermann-pumpen.de](http://www.sondermann-pumpen.de).  
 Vt γ ě [ μ [ β I st IJ] sΣγI [ Σ I γ Z' Ι β Π I] @ I @ } Ι Ξ@ i μ  
 phone no. **+49 2203 9394-0** or send an email to  
**info@sondermann-pumpen.de**.



For more than 50 years now, SONDERMANN has been your competent partner for the wide range of FLUX pumps made by our parent company. Known for their excellent quality, FLUX pumps are available as barrel and container pumps to submersible centrifugal and eccentric screw ύγέ ύI Ξ IJ]@γέ [ Ξ } Φ ù I Ζ Π ě ύγέ ύI z ě @ Z J Π γ Φ Π κ meters, including a wide variety of accessories.



For further information on FLUX pumps and products, visit us at [www.sondermann-pumpen.de](http://www.sondermann-pumpen.de)

SONDERMANN  
Pumpen + Filter GmbH & Co. KG  
August-Horch-Strasse 2 · D-51149 Cologne  
P.O. Box 920101 · D-51151 Cologne  
Phone +49 2203 9394-0  
Fax +49 2203 9394-48  
info@sondermann-pumpen.de  
www.sondermann-pumpen.de