

MAGSON MA

Magnetically coupled centrifugal
pumps made of PP / ETFE
Type 5/5H



Technical data MA	Type 5								Type 5H
	10/240	13/260		15/280		18/320		24/200	
Materials *	PP (glass-fiber reinforced) / ETFE (carbon-fiber reinforced)								
Max. delivery head in [m.WC] at 50 Hz	10	13		15		18		10	
Max. volume flow in [l/min] at 50 Hz	240	260		280		320		240	
Max. density in [g/cm ³] at 50 Hz **	1.8	1.3	2.0	1.2	1.7	1.0	1.5	1.25	
Motor capacity in [kW]	0.75	0.75	1.1	0.75	1.1	0.75	1.1	1.1	
Current rating (400 V, 50 Hz) in [A]	1.56	1.56	2.25	1.56	2.25	1.56	2.25	2.25	
Rated speed in [rpm] at 50 Hz / 60 Hz	3000 / 3600								
Suction port	DN 40 (alternative G 2 1/4")								DN 25 ***
Discharge port	DN 40 (alternative G 2 1/4")								DN 25 ***
Voltage in [V]	230 / 400 V three-phase AC								
Protection class	IP 55								
Max. flow velocity in [m/s]	suction side = 1 / discharge side = 3								
Max. temperature for PP / ETFE in [°C]	70 / 80								
Max. system pressure for PP / ETFE at 20 °C in [bar]	3.2								

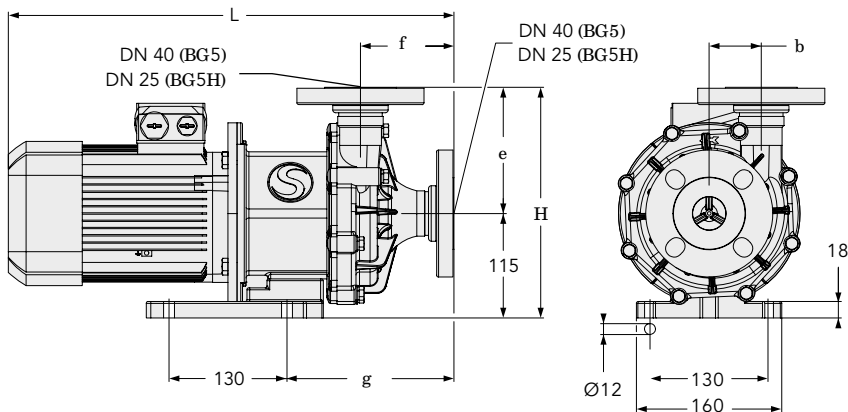
* Material used for housing, impeller unit and rear casing: (sheath of inner magnet made of PP without fiber reinforcement)

** approx. value at max. volume flow (higher density possible when flow rate is reduced)

*** alternative G 1 1/2"

Abmessungen [mm]	BG5				BG5H
	10/240	13/260		10/240	13/260
Dimension b [mm]	57.5				65
Dimension e [mm]	139				145
Dimension f [mm]	103				90
Dimension g [mm]	184				173
Dimension H [mm]	254				260

Motor dimensions may differ according to manufacture.



Materials and much more

Vt γ κ φ ¼ } [þ } ¼ φ
 [I] } ë t Z ½ < i i } ? =
 ŷ γ ë ŷ I ¼ ¼ κ ð ð } ¼ ®
 ë [ð] s [¼ þ þ γ ®

For all types of connections

No matter which type of connection you have – MAGSON is the perfect solution, even in that case.

Conventional centrifugal pumps usually follow a connection form. Either you have flange connections acc. to DIN (or ANSI) or a thread connection (internal or external thread). You have then to adapt your system to the pump, order the pump according to your requirements (usually with longer delivery time and higher costs than standard version) or create a complex transfer piping between the system and the pump. MAGSON also offers the ideal solution for all

MA with loose flange: perfect connection at flanges

No matter how the drilling pattern of the pipeline comes to rest after completion, thanks to the loose flange on the MAGSON you can connect directly. Simply turn the loose flange on the pump until it matches the pipe and you can screw it down.

Moreover, it does not matter if your pipeline is designed according to DIN or ANSI. MAGSON always fits!

MA with thread adapter: the universal

MAGSON magnetic centrifugal pumps go a step further; also here: with the standards supplied threaded adapters, you can adapt pumps to the standardized coupling nuts in standards dimensions. We also ensure that the pipeline has a sufficiently large diameter in order to optimize the flow conditions around the pump. If necessary, we also provide you with an adapter tailored to your needs.

MA with hose connections: a round thing

And if it has to be flexible there is also the hose connection. Thus all types of connections are available, which makes the connection to your system as simple as possible.

All details described at page 4.



MA with loose flange

Loose flanges are preassembled.



MA mit thread adapter

Threaded adapters are supplied as standard and can be mounted as required

Accessories to MAGSON pumps

Motor accessories

- ON/OFF switch with 2.5 m cable and plug (230 V AC only)
- 5 m three-phase connection cable with CEE plug of 5 × 16 A, fully assembled
- Frequency converter of IP class 65, mounted directly to the motor or for wall mounting
- Electronic monitoring system to always optimize the availability of your pump

Slip-on flanges

To screw onto threaded ports including O-Rings. All MAGSON MA and MAS types 4, 5 and 6 as well as types 4H, 5H and 6H are equipped with slip-on flanges and additional loose thread adapters delivered with the pump.

Type	Nominal diameter of suction port	Nominal diameter of discharge port	Material of PP	Material of ETFE
MA types 2 / 3, MAS type 4, MA (types 4H, 5H and 6H)	DN 25 PN 10	DN 25 PN 10	•	•
MA types 4 / 5, MAS type 5	DN 40 PN 10	DN 40 PN 10	•	•
MA type 6	DN 50 PN 10	DN 40 PN 10	•	•
MAS type 6	DN 50 PN 10	DN 50 PN 10	•	•

• Standard (off the shelf)

Hose connections

Three-piece hose connections with spigot nut and hose nipple.

Connection	Hose nipple	to suction port	to discharge port
1 ½" thread	1"	MA types 2 / 3 + 4H-6H, MAS type 4	MA types 2 / 3 + 4H-6H, MAS type 4
	1 ¼"		
	1 ½"		
2 ¼" thread	1 ½"	MA types 4 / 5, MAS type 5	MA types 4 / 5 / 6
	2"		

Thread adapters

to screw onto threaded ports including O-rings connecting with insert fitting and spigot nut

Type	Nominal diameter of suction port	Nominal diameter of discharge port	Material of PP	Material of PVDF
MA types 2 / 3, MAS type 4, MA (types 4H, 5H and 6H)	DN 25 PN 10	DN 25 PN 10	•	•
MA types 4 / 5, MAS type 5	DN 40 PN 10	DN 40 PN 10	•	•
MA type 6	DN 50 PN 10	DN 40 PN 10	•	•
MAS type 6	DN 50 PN 10	DN 50 PN 10	•	•

Also available are port seals, shut-off and check valves etc. suitable to any MAGSON pump. Our product specialists will be glad to help you!

Contact us

Thanks to our wide distribution network with 13 sites in Germany, you will find FLUX's at close range.

1 Berlin/Brandenburg

SONDERMANN GmbH
 1. August-Horch-Strasse 2
 10557 Berlin
 Tel: +49 30 639 100-10
 Fax: +49 30 639 100-10
 Email: info@sondermann-pumpen.de

3 Hanover/Kassel/Magdeburg

SONDERMANN GmbH
 Alte Bemeroder Strasse 122
 30625 Hannover
 Tel: +49 51 31 21-100
 Fax: +49 51 31 21-100
 Email: info@sondermann-pumpen.de

5.1 Southwest North Rhine-Westphalia

SONDERMANN GmbH
 Joachim Kehrenbach
 August-Horch-Strasse 2
 42699 Solingen
 Tel: +49 212 35 31-100
 Fax: +49 212 35 31-100
 Email: j.kehrenbach@sondermann-pumpen.de

2 Hamburg/Schleswig-Holstein/Mecklenburg-West Pomerania

SONDERMANN GmbH
 Dorfstrasse 23
 20099 Hamburg
 Tel: +49 40 30 90 90-10
 Fax: +49 40 30 90 90-10
 Email: info@sondermann-pumpen.de

4 Bremen/Munster

SONDERMANN GmbH
 Am Zwickenbach 18
 D-49324 Melle
 Tel: +49 54 23 21-100
 Fax: +49 54 23 21-100
 Email: info@sondermann-pumpen.de

5.2 Northeast North Rhine-Westphalia

Ralf Boesl
 August-Horch-Strasse 2
 42699 Solingen
 Tel: +49 212 35 31-100
 Fax: +49 212 35 31-100
 Email: r.boesl@sondermann-pumpen.de

6 Hesse

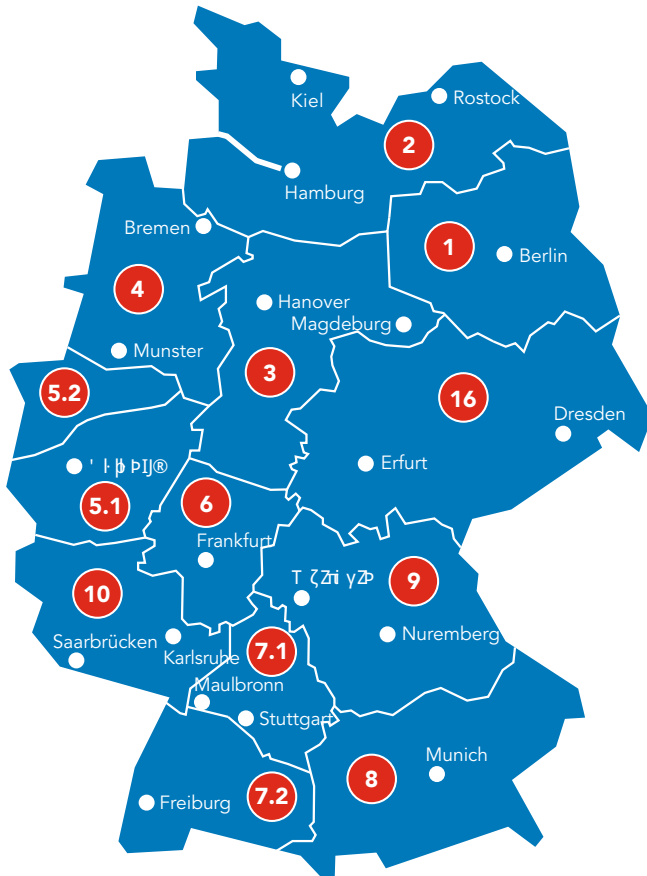
SONDERMANN GmbH
 August-Horch-Strasse 2
 61169 Friedberg
 Tel: +49 6391 35 31-100
 Fax: +49 6391 35 31-100
 Email: info@sondermann-pumpen.de

7.1 North Baden-Württemberg

Martin Reichert
 Nibelungenstrasse 4
 71634 Ludwigsburg
 Tel: +49 7141 35 31-100
 Fax: +49 7141 35 31-100
 Email: info@sondermann-pumpen.de

7.2 South Baden-Württemberg

SONDERMANN GmbH
 Westendstrasse 4
 76187 Karlsruhe
 Tel: +49 78 31 21-100
 Fax: +49 78 31 21-100
 Email: info@sondermann-pumpen.de



SONDERMANN
Pumpen + Filter GmbH & Co. KG
August-Horch-Strasse 2 · D-51149 Cologne
P.O. Box 920101 · D-51151 Cologne
Phone +49 2203 9394-0
Fax +49 2203 9394-48
info@sondermann-pumpen.de
www.sondermann-pumpen.de