

MAGSON MA

Magnetically coupled centrifugal
pumps made of PP / ETFE
Type 6/6H



MA type 6/6H



- execution with thread adapter

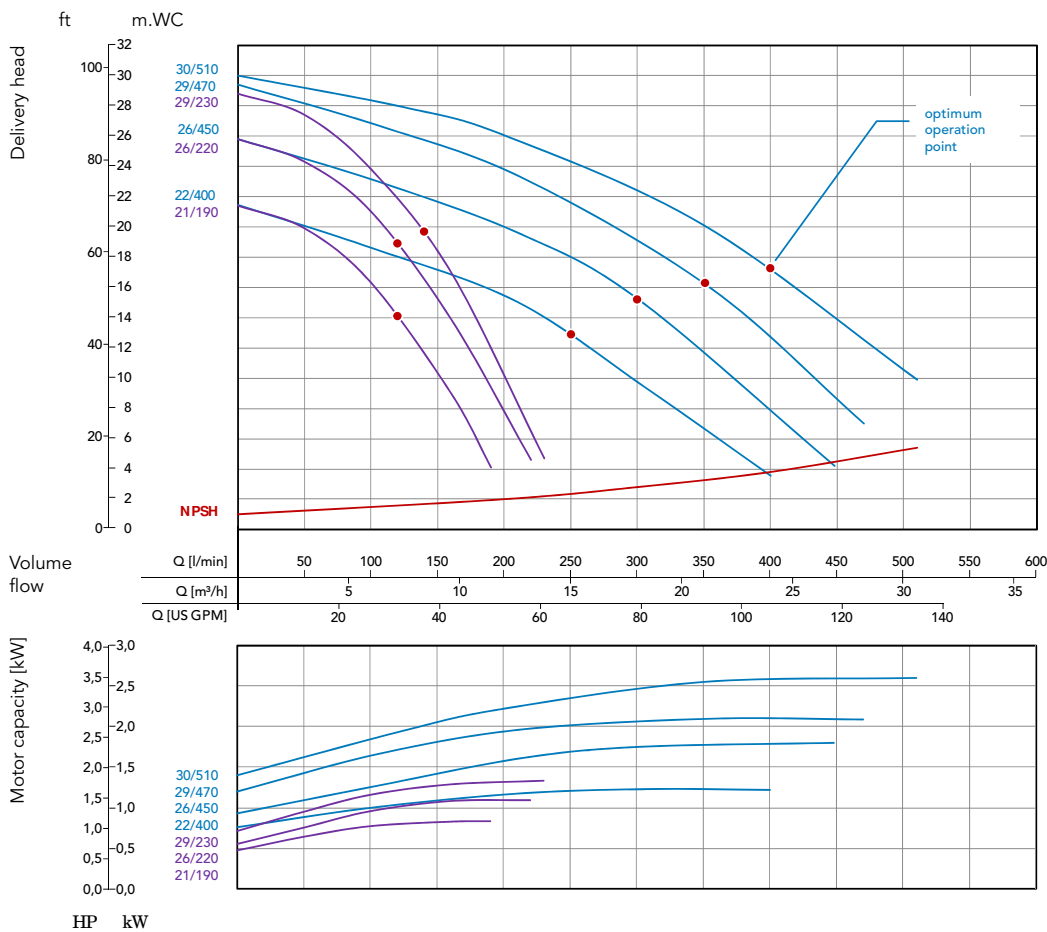


- without shaft seal
- streamlined spiral housing made of PP or ETFE
- 1 1/2" to 3" NPT
- 1 1/2" to 3" Y or T
- back pull-out



For all advantages of MAGSON pump series see page 9 of main catalogue.

Performance curves



Determined with water
 15°C / 59°F
 1 bar / 14.7 psi

Technical data MA	Type 6						Type 6H		
	22/400		26/450	29/470	30/510		21/190	26/220	29/230
Materials *	PP (glass-fiber reinforced) / ETFE (carbon-fiber reinforced)								
Max. delivery head in [m.WC] at 50 Hz	22		26	29	30		21	26	29
Max. volume flow in [l/min] at 50 Hz	400		450	470	510		190	220	230
Max. density in [g/cm ³] at 50 Hz **	1.2	1.8	1.2	1.0	1.15	1.5	1.8	1.8	1.6
Motor capacity in [kW]	1.5	2.2	2.2	2.2	3	4	1.5	2.2	2.2
Current rating (400 V, 50 Hz) in [A]	3	4.2	4.2	4.2	5.6	7.3	3	4.2	4.2
Rated speed in [rpm] at 50 Hz / 60 Hz	3000 / 3600								
Suction port	DN 50 (alternative G 2 3/4")						DN 25 (

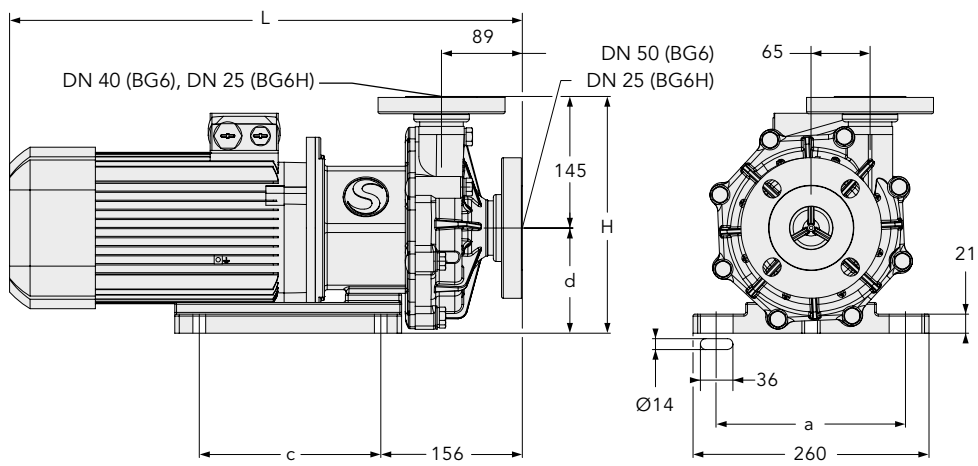


Fig.: MA pump type 6 with motor of up to 2.2kW

For all types of connections

No matter which type of connection you have – MAGSON is the perfect solution, even in that case.

Conventional centrifugal pumps usually follow a connection form. Either you have flange connections acc. to DIN (or ANSI) or a thread connection (internal or external thread). You have then to adapt your system to the pump, order the pump according to your requirements (usually with longer delivery time and higher costs than standard version) or create a complex transfer piping between the system and the pump. MAGSON also offers the ideal solution for all

MA with loose flange: perfekter connection at flanges

No matter how the drilling pattern of the pipeline comes to rest after completion, thanks to the loose flange on the MAGSON you can connect directly. Simply turn the loose flange on the pump until it matches the pipe and you can screw it down.



MA with loose flange

Loose flanges are preassembled.

Moreover, it does not matter if your pipeline is designed according to DIN or ANSI. MAGSON always fits!

MA with thread adapter: the universal

MAGSON magnetic centrifugal pumps go a step further; also here: with the standards supplied threaded adapters, you can adapt pumps to the standardized coupling nuts in standards dimensions. We also ensure that the pipeline has a sufficiently large diameter in order to optimize the flow conditions around the pump. If necessary, we also provide you with an adapter tailored to your needs.

MA with hose connections: a round thing

And if it has to be flexible there is also the hose connection. Thus all types of connections are available, which makes the connection to your system as simple as possible.



All details described at page 4.



MA mit thread adapter

Threaded adapters are supplied as standard and can be mounted as required

Accessories to MAGSON pumps

Motor accessories

- ON/OFF switch with 2.5 m cable and plug (230 V AC only)
- 5 m three-phase connection cable with CEE plug of 5 × 16 A, fully assembled
- Frequency converter of IP class 65, mounted directly to the motor or for wall mounting
- Electronic monitoring system to always optimize the availability of your pump

Slip-on flanges

To screw onto threaded ports including O-Rings. All MAGSON MA and MAS types 4, 5 and 6 as well as types 4H, 5H and 6H are equipped with slip-on flanges and additional loose thread adapters delivered with the pump.

Type	Nominal diameter of suction port	Nominal diameter of discharge port	Material of PP	Material of ETFE
MA types 2 / 3, MAS type 4, MA (types 4H, 5H and 6H)	DN 25 PN 10	DN 25 PN 10	•	•
MA types 4 / 5, MAS type 5	DN 40 PN 10	DN 40 PN 10	•	•
MA type 6	DN 50 PN 10	DN 40 PN 10	•	•
MAS type 6	DN 50 PN 10	DN 50 PN 10	•	•

• Standard (off the shelf)

Hose connections

Three-piece hose connections with spigot nut and hose nipple.

Connection	Hose nipple	to suction port	to discharge port
1 ½" thread	1"	MA types 2 / 3 + 4H-6H, MAS type 4	MA types 2 / 3 + 4H-6H, MAS type 4
	1 ¼"		
	1 ½"		
2 ¼" thread	1 ½"	MA types 4 / 5, MAS type 5	MA types 4 / 5 / 6
	2"		

Thread adapters

to screw onto threaded ports including O-rings connecting with insert fitting and spigot nut

Type	Nominal diameter of suction port	Nominal diameter of discharge port	Material of PP	Material of PVDF
MA types 2 / 3, MAS type 4, MA (types 4H, 5H and 6H)	DN 25 PN 10	DN 25 PN 10	•	•
MA types 4 / 5, MAS type 5	DN 40 PN 10	DN 40 PN 10	•	•
MA type 6	DN 50 PN 10	DN 40 PN 10	•	•
MAS type 6	DN 50 PN 10	DN 50 PN 10	•	•

Also available are port seals, shut-off and check valves etc. suitable to any MAGSON pump. Our product specialists will be glad to help you!

8 South Bavaria

Tobias Anton
 Kornblumenstrasse 5
 D-86637 Wertingen
 Mobile +49 172 6287784
 Σ[IJ] IJg Αγλᾱγῆ ὕ@J } ®

9 North Bavaria

Dipl.-Ing. (FH) Wolfgang Schauer
 Am Weinberg 2
 D-91180 Heideck
 Phone +49 9177 4852705
 Mobile +49 172 6287781
 κ Iσι [γ@g Αγλᾱγῆ ὕ@J } ®

**10 Rhineland-Palatinate/
 Saarland/Nordbaden**

Frank Schorn
 Fliederstrasse 19
 D-66773 Schwalbach
 Phone +49 6834 567250
 Mobile +49 172 6259223
 ἄσι τ ΖIjg Αγλᾱγῆ ὕ@J } ®

16 Central Germany

Dipl.-Ing. (FH) Hendrik Mueller
 Am Kirschrain 5
 D-06193 Petersberg
 Phone +49 34606 290321
 Mobile +49 172 1324674
 ἰ ῆ γ@pZg Αγλᾱγῆ ὕ@J } ®



At your service all over the world

J ? =) *I < i# = ὕγῆ ὕI [IJ] ΑΓΩI [Ζ@ [ι [φi [κκτ Ζp κ φ ῆ
 The contact data of our international agencies and representatives are listed at www.sondermann-pumpen.de.
 Vt γ ῆ [μ [βt σt IJ] sΣγI [Σt γZ' t β t IJ] @i @J } t ἄs@i μ
 phone no. **+49 2203 9394-0** or send an email to info@sondermann-pumpen.de.



For more than 50 years now, SONDERMANN has been your competent partner for the wide range of FLUX pumps made by our parent company. Known for their excellent quality, FLUX pumps are available as barrel and container pumps to submersible centrifugal and eccentric screw ὕγῆ ὕI ἄ ὕI]@γῆ [ἄs } φ ὕi Ἀ p ῆ ὕγῆ ὕIz ῆ @ZIz p γ φ ῆ κ meters, including a wide variety of accessories.



For further information on FLUX pumps and products, visit us at www.sondermann-pumpen.de

SONDERMANN
Pumpen + Filter GmbH & Co. KG
August-Horch-Strasse 2 · D-51149 Cologne
P.O. Box 920101 · D-51151 Cologne
Phone +49 2203 9394-0
Fax +49 2203 9394-48
info@sondermann-pumpen.de
www.sondermann-pumpen.de